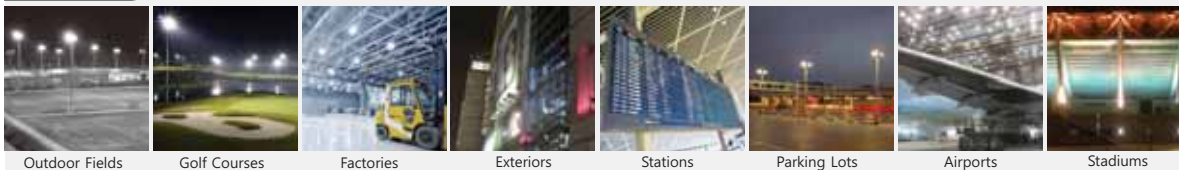


High Bay  
Flood Light

# CD4000 Series



### Applications



### CD4000 Specifications

Model	Power	Voltage	Hz	Wattage	Total Lumen	Pupil Lumen <sup>1)</sup>	Luminous Efficacy	CCT	CRI	Beam Angle	Temperature	IP
CD4000-P300W	HP2	AC100~240V (AC90~264V)	50~60Hz	300W	29,400lm	55,860Plm	98lm/W	5,700K	83Ra	90° (Standard), 20°, 60° (Option)	-40°C~60°C	IP67
CD4000-P400W		AC120~277V (AC108~305)		400W	38,400lm	72,960Plm	96lm/W	5,700K	83Ra			

※ In this catalogue, default color temperature is 5,700K and when color temperature of 3,000K is applied, total lumen and luminous efficacy decrease by 10%  
 ※ Standard Deviation : Electricity Consumption ±7%, Total Lumen ±7%, Light Efficacy ±7%, CCT ±6%, CRI ±2% in this catalogue  
 ※ Specifications are subject to change without prior notice. Please refer to our website for the newest specifications (www.icepipeLED.com)

※ 1) Pupil Lumen (有效光总量, 가시광광속, 有效全光束) -- Reference p.24(p.24 参照, p.24 참조, p.24 参照)  
 Pupil Lumen = Photopic Lumens x S/P Ratio  
 ◎ Photopic Lumen : 照度计测の値 / 조도계로 측정한 값 / 照度測定器で測定した値  
 ◎ S/P Ratio : S/P 比率, S/P 비율, S/P 比率

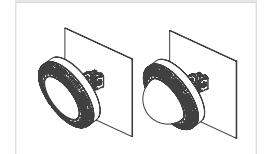
Hinge+Hook+Chain+Hook+FMB, Dome Diffuser



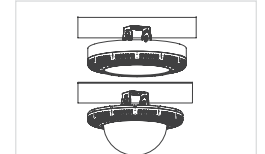
FMB+Pipe+FMB, Dome Diffuser



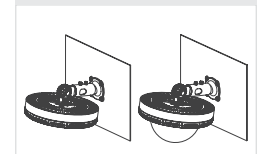
R-Hinge1, Wall, Dome Diffuser



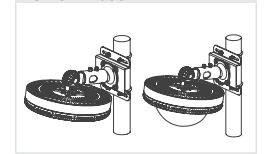
R-Hinge1, Ceiling, Dome Diffuser



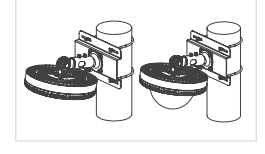
Wall Bracket



Wall Bracket+Pillar Bracket I, Dome Diffuser



Wall Bracket+Pillar Bracket II, Dome Diffuser



CR2000  
CH2000  
CH2500  
CD800  
CD1500  
CD3000  
**CD4000**  
CT2000  
CT2500  
CT3000  
CT5000  
CT8000  
OB8 Street  
CD800S  
CD1500S  
CD3000S  
CD4000S  
Omni LED  
Bulb  
POP LED

# CD4000 Series

High Bay, Flood Light

## Features(特点, 특징, 特徴)



### Strong against Corrosion

防腐蚀性, 부식에 강함, 腐食に強い

Strong against corrosion as its heat sink is made of copper, and stainless-steel and polycarbonate for the other parts

所有部件由铜、不锈钢、聚碳酸酯组成防腐蚀性能十分优秀

방열 히트싱크를 세계최초로 구리를 사용하여 제작하고, 기타부품을 스텐레스와 폴리카보네이트를 사용하여 제작하였기 때문에 부식에 강합니다  
銅材質のヒートシンクとステンレス鋼、ポリカーボネートの組合で腐食に強いです



### Embedded Protection Circuit

内置安全保护回路, 안전보호회로 내장, 安全保護回路内蔵

An automatic power shutdown and returning circuit, which incorporates a sensor switch that turns off power in case of a fire, abnormal high temperature, overcurrent or overvoltage, is added. It prevents secondary fire and self-damage to the product

自动切断电源的传感器在遇到火灾、异常高温、过电流、过电压等现象时会自动切断·接通电源·从而避免二次火灾及对产品本身的损伤

화재, 이상고온, 과전류, 과전압 발생시 전원을 차단하는 센서스위치를 이용한 전원 자동 차단 및 자동 복구 회로를 추가하였습니다. 제품에 의한 2차 화재발생 및 제품의 자체 손상을 방지합니다

電源遮断スイッチが搭載され、火災、異常高温、過電流などの現象が発生した場合、電源自動遮断、復帰回路を追加により、2次災害や製品の損傷を防止します



### Embedded Double Power Supply

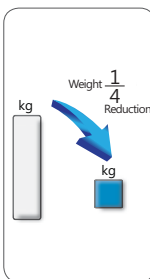
2重電源装置, 내장형 더블전원공급기, 内蔵型ダブル電源

Embedded Double Power Supply with "105°C 10,000 hours electrolysis capacitor" installed in double row arrangement fundamentally solved lifespan reduction derived by the capacitor's capacity decline to maximize lumen maintenance and overall lifespan.

採用105°C 1万小時的電解電容2重並列設計的2重電源裝置·解決了因電容量的減少導致使用壽命縮短的现象

105°C 1만시간 전해캐패시터를 2중병렬로 설치한 내장형 더블전원공급기를 사용하여 캐패시터의 용량감소로 인한 수명저하를 근본적으로 해결하였으며, LED의 광유지율을 높이고, 수명을 크게 늘렸습니다.

105°C 1万時間電解コンデンサを2重並列に搭載した内蔵型ダブル電源を使用してキャパシタの容量減少による寿命低下を根本的に解決し、LEDの光維持率を高め、寿命を大幅に増やしました



### Ultra Small & Light simplifies Installation, Increases Safety

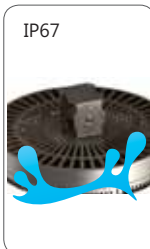
通过Ultra Small & Light使安装简单化、安全最大化, Ultra Small & Light로 설치 용이, 안전증대, Ultra Small & Light로 設置容易, 安全確保

ICEPIPE heatsink reduced LED chip temperature and weight of the product significantly. It simplifies installation steps and increases safety

通过使用ICEPIPE的散热技术降低了LED灯珠的温度同时产品重量减轻达到安装简便、提高安全性的目的

ICEPIPE 히트싱크를 적용하여 LED Chip의 온도를 낮추면서 제품의 무게는 대폭 줄였습니다. 설치 및 시공이 용이하고 안전이 증대됩니다.

ICEPIPEヒートシンクの装着によりLED Chipの温度を下げた同時、製品の重量を軽く、設置が容易で安全性が向上しました



### Ingress Protection Rating IP67

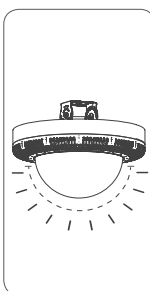
防水等級IP67, 방수등급 IP67, 防水等級IP67

By simplifying waterproof construction and equipping silicone waterproof sealing, it achieved ingress protection rating IP67 Fully protected from dust and usable in water to 1 meter depth for 30 minutes

通过改善防水构造及安装构造·将防水等级提高到IP67·不仅完全防止灰尘进入而且能够在1m水下30分钟不进水

방수구조를 단순화하고, 실리콘 방수 씰링을 이용하여 IP67을 구현하였습니다 먼지로부터 완벽하게 보호, 1m이하 물 속에 잠겨서 30분간 사용 가능합니다

防水構造を単純化させてシリコン防水リングでIP67を実現しました。粉塵が内部に侵入しないし、水深1mに30分間没する事が可能です



### Dome Diffuser for Glare Prevention is Applicable

可选用防耀眼半球形散光灯罩, 눈부심 방지용 돔디퓨저 적용 가능, 글레아防止用ドーム型拡散カバー適用可能

The Dome Diffuser has approximately twice larger surface area compared to the Diffuser Plate, which is most effective in sites that require glare prevention.

半球形散光灯罩的表面面积比平板灯罩面积大2倍·因此·需要防耀眼现象的地方能有效减轻耀眼现象

돔디퓨저를 적용하면 평판디퓨저보다 표면적이 약2배 가량 넓어서 눈부심을 절반으로 줄일 수 있어 눈부심 방지를 필요로 하는 현장에 효과적입니다.

ドーム型拡散カバーを適用するとフラットカバーより表面積が2倍もするので眩しさを半分に減らすことができ、グレア防止に効果的である

### Composition (内部构造, 내부구조, 内部構造)

**Corrosion proof painting**  
防腐蚀性涂层 防腐蚀性涂层,  
부식 방지 페인팅,  
腐食防止ペイント

**Upper Cover**  
(顶盖, 상커버, 上部カバー)

**Copper, 铜, 구리, 銅**

**Thermal Base**  
导热板, 서멀베이스, 放熱ベース

ICEPIPE is welded to Copper thermal base and is excellent for heat transfer (The World's First)

ICEPIPE直接焊接在铝板上的缘故传导性能非常卓越(世界首创)

구리 서멀베이스에 ICEPIPE가 금속 용접되어 열 전달 우수(세계최초)

銅放熱ベースにICEPIPEが溶接され熱の伝導が優れています(世界最初)

**Embedded Double Power Supply**  
2重电源装置, 내장형 더블전원 공급기, 内蔵型ダブル電源

**HP2**  
By applying the power correction circuit and stabilizing DC output, respectively, the power factor is increased to 0.93 and flickering (voltage fluctuation under 0.2%) is prevented. 105°C 10,000-hour electrolysis-capacitor is arranged in a double row to fundamentally solve the problem of fall in lifespan due to capacity reduction of the capacitor

采用功率因数补偿电路·使直流输出电压的变化小于0.2%防止了闪烁现象·功率因数提高到0.93为了高电源的寿命通过采用105°C·1万小时的电解电容2重并列设计·解决了因电容容量的减少导致使用寿命缩短现象

역률보상회로를 적용하여 역률을 0.93으로 높이고, 플리커가 없도록 DC출력을 일정(전압변동 0.2% 이하)하게 하였습니다. 파워의 수명을 대폭 증가시키기 위하여 105°C 1만시간 전해캐패시터를 2중 병렬로 설치하여 캐패시터의 용량감소로 인한 수명저하를 근본적으로 해결하였습니다

力率補正回路を適用し、力率が0.93に高め、FlickerがないようにDC出力を安定させました(電圧変動0.2%以下)電源の寿命を長くするために105°C1万時間の電解コンデンサを2重並列に搭載してキャパシタの容量減少による寿命の短縮を根本的に解決しました

**Stainless Steel, 不锈钢, 스테인레스스틸, ステンレス鋼**

**R-Hinge1**  
R-可转动支架1, R-힌지1, R-回転ブラケット1

Pivots up to 180° and rotates 360°  
上下可转动 180° 左右可转动 360°  
상하 180°로 움직임이 가능하며 전체적으로 좌우 360°회전 가능함  
上下 180°動きが可能で、全体的に左右360°回転可能である

**Copper, 铜, 구리, 銅**

**ICEPIPE Heatsink**

- The World's First FDP(Fluid Dynamic Pressure) Technology
- 200 Times Faster Heat Transfer Rate than Aluminum(Al)
- Maximization of Air Flow through Aerodynamic Design
- Maximization of Heat Dissipation Surface
- Value of Thermal resistance Weight Multiplier 0.64

使用了世界最新开发出的FDP(Fluid Dynamic Pressure)技术  
比铝(Al)制散热槽散热速度快200倍  
通过空气动力学设计使空气流动最大化  
散热面积最大化  
散热抗重量乘数值 0.32

세계최초로 개발된 FDP(Fluid Dynamic Pressure) 기술 적용 알루미늄(Al)보다 열전도가 200배 빠른 공기 역학적 설계로 공기흐름 최대 방열면적 최대 열저항 중량 승수값 0.32

世界最初に開発された FDP(Fluid Dynamic Pressure)技術採用 アルミに比べて熱伝導率が200倍早いです  
空気力学的な設計  
放熱面積拡大  
熱抵抗重量乗数値 0.32

※ A Value of Thermal resistance Weight Multiplier that is less than "1" indicates a high-efficiency heatsink  
热阻重量乘数值小于《1》可称之为高效的散热槽  
열저항 중량 승수값이 "1"미만이면 고효율 히트싱크입니다  
熱抵抗重量乗数値が1未満の高効率ヒートシンク搭載

**Tempered Glass, 钢化玻璃, 강화유리, 強化ガラス**

**Diffuser Plate**  
散光板, 확산판, 乳白色板

**Glare Prevention Diffuser Plate (Optional)**  
防止耀眼的散光板(可选择),  
눈부심방지 확산판(선택가능),  
眩しさを防止乳白色板(選択可能)

Standard - Tempered Glass  
钢化玻璃, 강화유리, 強化ガラス

Option - Glass Diffuser  
散光玻璃, 확산유리, 乳白色ガラス  
- Dome Diffuser  
半球形散光灯罩, 확산구, 돔-型拡散カバー

\* When a Dome Diffuser or a Diffuser Plate is applied, it prevents glare, but Total Lumen will decrease approximately by 9% with a Diffuser Plate, and 2% with a Dome Diffuser, compared to a Clear Glass and a Clear PC

虽然利用散光板或半球形灯罩可以有效地防止耀眼现象·但是光通量与使用透明玻璃和透明PC相比在使用散光板时约降低9%·使用半球形灯罩时约降低2%

확산판, 돔디퓨저를 사용하면 눈부심이 방지되지만 총광량이 투명유리 및 투명PC에 비해 확산판은 약 9%, 돔디퓨저는 약 2% 정도 저하됩니다

乳白色板, 돔-型カバーで眩しさを軽減されますが、全光束が透明ガラス及び透明PCに比べると乳白色板使った時約9%低下、ドーム型カバー使った時約2%低下する。

**Silicone, 有机硅塑料, 실리콘, 실리콘**

**Waterproof Sealing**  
防水密封圈, 방수실링, 防水링

**Polycarbonate/ABS, 聚碳酸酯/ABS**  
폴리카보네이트/ABS, 폴리카보네이트/ABS

**Cover**(盖子, 커버, 커버)

CR2000  
CH2000  
CH2500  
CD800  
CD1500  
CD3000  
CD4000  
CT2000  
CT2500  
CT3000  
CT5000  
CT8000  
OB8 Street  
CD800S  
CD1500S  
CD3000S  
CD4000S  
Omni LED  
POP LED

# CD4000 Series

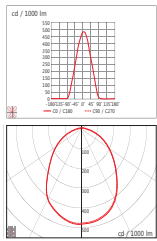
High Bay, Flood Light

## CD4000-P300W

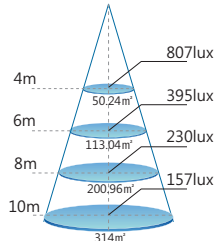
Replacement for Metal Halide 800W, 可代替 800W金属卤化物灯, 메탈라이드 800W 대체가능, 메탈라이드 800W 相当



### Light Distribution Curve 配光曲线, 배광곡선, 配光曲線



### Illumination Intensity 照度示意图, 직하조도표, 直下照度



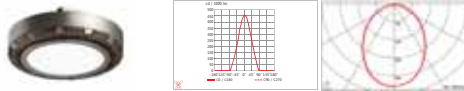
- Applications(适用范围, 용도, 適用範圍)
- Flood Light(泛光灯, 투광등, 投光機)
  - High Bay(顶棚, 고천장등, 高天井)

### Specifications(参数, 사양, 仕様)

1. Input Voltage(输入电压, 입력전압, 入力電圧) : AC100~240V (AC90~264V, AC120~277V (AC108~305V))
2. Installation(安装, 설치, 設置) : R-Hinge1
3. Wattage(消耗功率, 소비전력, 消費電力) : 300W
4. Total Lumen(光通量, 총광량, 全光束) : 29,400lm (26,460lm)
5. Luminous Efficacy(光效, 광효율, 光効率) : 98lm/W (88lm/W)
6. Pupil Lumens(有效光通量, 가시총광속, 有効全光束) : 55,860Plm (50,274Plm)
7. CCT(色温, 색온도, 色温度) : 5,700K (3000K)
8. CRI(显色性, 연색성, 演色性) : 83Ra
9. Beam Angle(照射角度, 조사각도, ビーム角) : 90°(Standard) / 20°, 60°(Option)
10. IP Rating(防水等级, 방수등급, 防水等級) : IP67

### Option : Diffuser Plate Applied (采用散光罩时, 확산판 적용, 拡散カバー付)

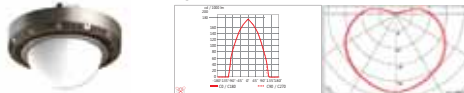
- Light Distribution Curve (配光曲线, 배광곡선, 配光曲線)



※ Compared to Clear Plate, Transmittance Rate Decreases 9%  
与透明罩相比透光率减少约9%, Clear Plate 적용시 보다 광투과율이 약 9% 감소. 透明カバーへの透過率が約9%減少  
- Please visit our website and check the Illumination Intensity  
在公司网页(www.icepipeLED.com)上可以看到照度示意图  
당사 홈페이지(www.icepipeLED.com)를 방문하시면 직하조도표를 보실수 있습니다.  
当社のホームページ(www.icepipeLED.com)で取付直下照度をご覧いただけます

### Option : Dome Diffuser Applied (采用半球散光罩时, 확산구 적용, 돔型拡散カバー付)

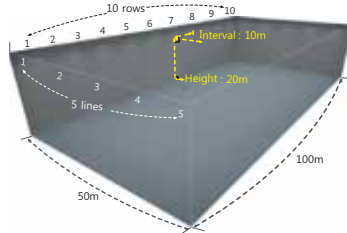
- Light Distribution Curve (配光曲线, 배광곡선, 配光曲線)



※ Compared to Clear Plate, Transmittance Rate Decreases 2%  
与透明罩相比透光率减少约2%, Clear Plate 적용시 보다 광투과율이 약 2% 감소. 透明カバーへの透過率が約2%減少  
- Please visit our website and check the Illumination Intensity  
在公司网页(www.icepipeLED.com)上可以看到照度示意图  
당사 홈페이지(www.icepipeLED.com)를 방문하시면 직하조도표를 보실수 있습니다.  
当社のホームページ(www.icepipeLED.com)で取付直下照度をご覧いただけます

### Simulation Example

1. Model(型号名称, 모델명, モデル) : CD4000-P300W
2. Area(照射面积, 조사면적, 照射面積) : 5,000m<sup>2</sup>(100m×50m)
3. Installation Height(安装高度, 설치높이, 設置高さ) : 20m
4. Lamp Quantity(灯具数量, 등수량, 照明数量) : 50(5x10)
5. Average Floor Illuminance : 264lux  
(Maintenance factor : 80%, Interior Reflection Factor : 70% - Floor, Ceiling, Wall)  
平均照度 : 264lux(光維持率 : 80%, 反射率 : 70% - 地面·天花板·墙壁)  
바닥평균조도 : 264lux(유지보수율 : 80%, 실내반사율 : 70% - 바닥, 천장, 벽)  
床平均照度 : 264lux(保守率 : 80%, 反射率 : 70% - 床, 天井, 壁)



### Required Lamp Qty (Area 5,000m<sup>2</sup> (100m×50m)) 所需灯具数量(照射面积, 등의 필요수량(조사면적, 照明の必要な数量(面積))(5,000m<sup>2</sup> (100m×50m))

Classification 区分, 구분, 区分	Average Floor Illuminance 地面 平均照度/바닥 평균조도/床平均照度	Number of Lamps by Height 根据高度的所需数量, 높이에 따른 필요수량, 高さによる必要な数量				
		10m	15m	20m	30m	
Low Lumen(Factory, Warehouse) 较低亮度的(工厂·仓库) 低照度(공장, 창고) 低い明るさ(工場, 倉庫)	100lux	17EA	19EA	20EA	21EA	22EA
	200lux	35EA	37EA	40EA	42EA	45EA
Normal Lumen(Factory, Warehouse) 普通亮度的(工厂·仓库) 普通照度(공장, 창고) 普通明るさ(工場, 倉庫)	300lux	53EA	56EA	60EA	64EA	68EA
	400lux	71EA	75EA	80EA	85EA	91EA
High Lumen(Factory, Warehouse) 较高亮度的(工厂·仓库) 高照度(공장, 창고) 高い明るさ(工場, 倉庫)	500lux	89EA	94EA	100EA	107EA	114EA
	600lux	106EA	113EA	120EA	128EA	136EA

### Weight and Dimensions

1. Weight(重量, 무게, 重量) : 6.9Kg
2. Dimensions : Φ500mm X 221mm(H)  
产品尺寸, 제품사이즈, 製品サイズ
3. Packaging Size : 550mm(W) X 550mm(L) X 310mm(H)  
单个产品包装, 개별박스포장, 小箱梱包

### Installation Conditions(使用条件, 사용조건, 使用条件)

1. Indoors, Outdoors(with ceilings)  
室内·室外(屋檐), 실내, 실외(천장 있는 곳), 屋内, 屋外(軒下)
2. Operation Temperature(使用温度, 사용온도, 使用温度) : -40°C~ 60°C
3. Permitted Installation Angle : Rotates 360°, Pivots up to 200°  
适用安装角度 : 上下200°·全方向360°, 설치허용각도 : 상하200°, 전방향360°  
設置許容角度 : 上下200°·全方向360°



### Dimming(调光, 조광, 調光)

1. Dimmer Incompatible(禁止使用调光器, 디머 사용불가, 調光器使用不可)



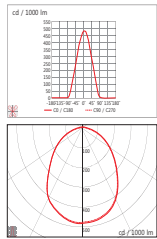
※ In this catalogue, default color temperature is 5,700K and when color temperature of 3,000K is applied, total lumen and luminous efficacy decrease by 10%  
※ Standard Deviation : Electricity Consumption ±7%, Total Lumen ±7%, Light Efficacy ±7%, CCT ±6%, CRI ±2% in this catalogue  
※ Specifications are subject to change without prior notice. Please refer to our website for the newest specifications (www.icepipeLED.com)

### CD4000-P400W

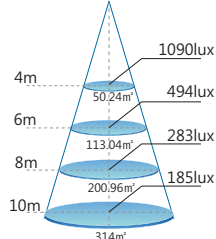
Replacement for Metal Halide 1KW, 可代替 1KW金属卤化物灯, 메탈할라이드 1KW 대체가능, 메탈할라이드 1KW 相当



#### Light Distribution Curve 配光曲线, 배광곡선, 配光曲线



#### Illumination Intensity 照度示意图, 직하조도표, 直下照度



#### Applications(适用范围, 용도, 適用範圍)

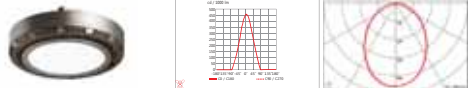
- Flood Light(泛光灯, 투광등, 投光機)
- High Bay(顶棚, 고천장등, 高天井)

#### Specifications(参数, 사양, 仕様)

1. Input Voltage(输入电压, 입력전압, 入力電圧): AC100~240V (AC90~264V), AC120~277V (AC108~305V)
2. Installation(安装, 설치, 設置): R-Hinge1
3. Wattage(消耗功率, 소비전력, 消費電力): 400W
4. Total Lumen(光通量, 총광량, 全光束): 38,400lm (34,560lm)
5. Luminous Efficacy(光效, 광효율, 光効率): 96lm/W (86lm/W)
6. Pupil Lumens(有效光通量, 가시총광속, 有効全光束): 72,960Plm (65,664Plm)
7. CCT(色温, 색온도, 色温度): 5,700K (3000K)
8. CRI(显色性, 연색성, 演色性): 83Ra
9. Beam Angle(照射角度, 조사각도, 비ーム角): 90°(Standard) / 20°, 60°(Option)
10. IP Rating(防水等级, 방수등급, 防水等級): IP67

#### Option : Diffuser Plate Applied (采用散光罩时, 확산판 적용, 拡散カバー付)

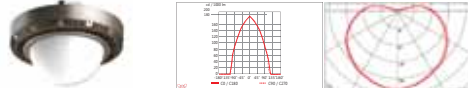
- Light Distribution Curve (配光曲线, 배광곡선, 配光曲线)



※ Compared to Clear Plate, Transmittance Rate Decreases 9%  
与透明罩相比透光率减少约9%, Clear Plate 적용시 보다 광투과율이 약 9% 감소, 透明カバーより透過率が約9%減少  
-Please visit our website and check the Illumination Intensity  
在公司网页(www.icepipeLED.com)上可以看到照度示意图视频.  
당사 홈페이지 (www.icepipeLED.com) 를 방문하시면 직하조도표를 보실수 있습니다.  
当社のホームページ(www.icepipeLED.com) で取付寸下照度をご確認ください。

#### Option : Dome Diffuser Applied (采用半球散光罩时, 확산구 적용, 돔型拡散カバー付)

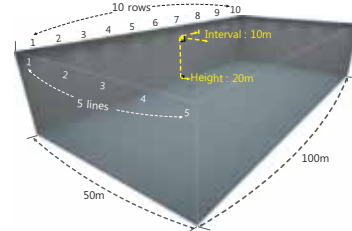
- Light Distribution Curve (配光曲线, 배광곡선, 配光曲线)



※ Compared to Clear Plate, Transmittance Rate Decreases 2%  
与透明罩相比透光率减少约2%, Clear Plate 적용시 보다 광투과율이 약 2% 감소, 透明カバーより透過率が約2%減少  
-Please visit our website and check the Illumination Intensity  
在公司网页(www.icepipeLED.com)上可以看到照度示意图视频.  
당사 홈페이지 (www.icepipeLED.com) 를 방문하시면 직하조도표를 보실수 있습니다.  
当社のホームページ(www.icepipeLED.com) で取付寸下照度をご確認ください。

#### Simulation Example

1. Model(型号名称, 모델명, モデル): CD4000-P400W
2. Area(照射面积, 조사면적, 照射面積): 5,000m²(100m×50m)
3. Installation Height(安装高度, 설치높이, 設置高さ): 20m
4. Lamp Quantity(灯具数量, 등수량, 照明数量): 50(5x10)
5. Average Floor Illuminance : 345lux  
(Maintenance factor : 80%,  
Interior Reflection Factor : 70% - Floor, Ceiling, Wall)  
平均照度 : 345lux(光维持率 : 80%, 反射率 : 70% - 地面・天花板・墙壁)  
바닥평균조도 : 345lux(유지보수율 : 80%, 실내반사율 : 70% - 바닥, 천장, 벽)  
床平均照度 : 345lux(保守率 : 80%, 反射率 : 70% - 床・天井・壁)



#### Required Lamp Q'ty (Area 5,000m² (100m×50m))

所需灯具数量(照射面积, 등의 필요수량(조사면적), 照明の必要な数量 (面積)(5,000m² (100m×50m))

Classification 区分, 구분, 区分	Average Floor Illuminance 地面 平均照度, 바닥 평균조도 床平均照度	Number of Lamps by Height 根据高度的所需数量, 높이에 따른 필요수량, 高さによる必要な数量			
		10m	15m	20m	30m
Low Lumen(Factory, Warehouse) 较低亮度的(工厂・仓库), 낮은 밝기 (공장, 창고) 低い明度(工場, 倉庫)	100lux	13EA	14EA	15EA	17EA
	200lux	27EA	29EA	30EA	35EA
Normal Lumen(Factory, Warehouse) 普通亮度的(工厂・仓库), 보통 밝기(공장, 창고) 普通明度(工場, 倉庫)	300lux	41EA	43EA	46EA	52EA
	400lux	54EA	58EA	61EA	70EA
High Lumen(Factory, Warehouse) 较高亮度的(工厂・仓库), 밝은 밝기(공장, 창고) 高い明度(工場, 倉庫)	500lux	68EA	72EA	77EA	87EA
	600lux	82EA	87EA	92EA	104EA

#### Weight and Dimensions

1. Weight(重量, 무게, 重量): 6.9Kg
2. Dimensions : Φ500mm X 221mm(H)  
产品尺寸, 제품사이즈, 製品サイズ
3. Packaging Size : 550mm(W) X 550mm(L) X 310mm(H)  
单个产品包装, 개별박스포장, 小箱梱包

#### Installation Conditions(使用条件, 사용조건, 使用条件)

1. Indoors, Outdoors(with ceilings)  
室内・室外(屋樑), 실내, 실외(천장 있는 곳), 屋内, 屋外(軒下)
2. Operation Temperature(使用温度, 사용온도, 使用温度): -40°C~ 60°C
3. Permitted Installation Angle : Rotates 360°, Pivots up to 200°  
适用安装角度 : 上下200°・全方向360°, 설치허용각도 : 상하200°, 전방향360°,  
設置許容角度 : 上下200°, 全方向360°



#### Dimming(调光, 조광, 調光)

1. Dimmer Incompatible(禁止使用调光器, 디머 사용불가, 調光器使用不可)



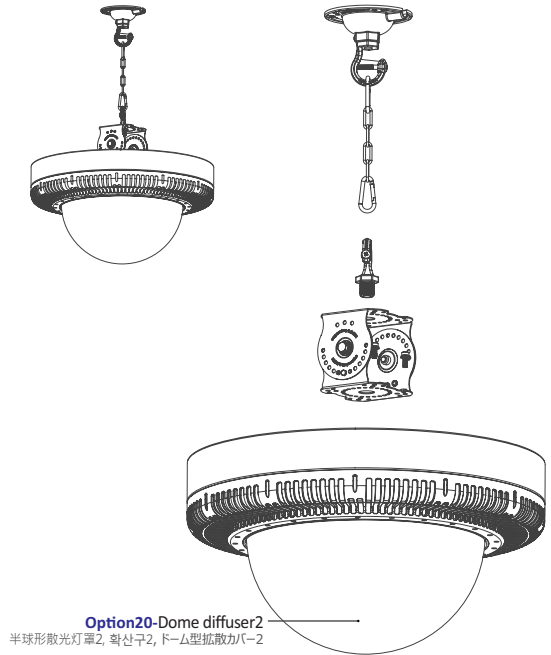
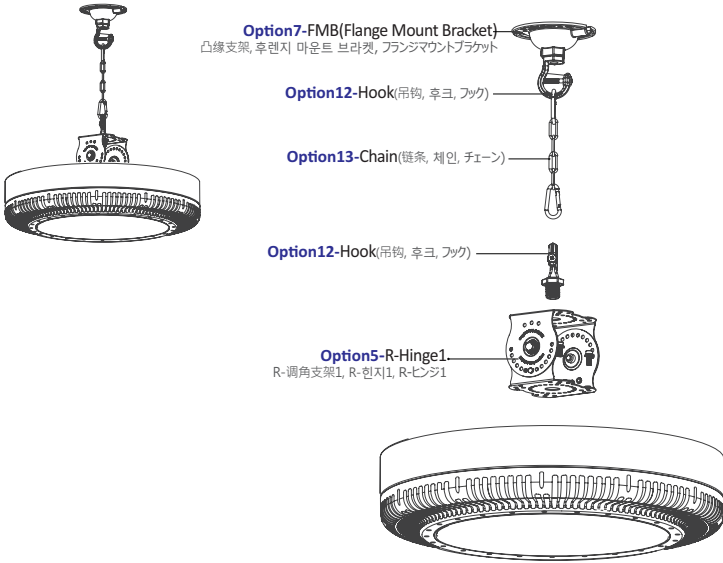
※ In this catalogue, default color temperature is 5,700K and when color temperature of 3,000K is applied, total lumen and luminous efficacy decrease by 10%  
※ Standard Deviation : Electricity Consumption ±7%, Total Lumen ±7%, Light Efficacy ±7%, CCT ±6%, CRI ±2% in this catalogue  
※ Specifications are subject to change without prior notice. Please refer to our website for the newest specifications (www.icepipeLED.com)

# CD4000 Series Installation Type (安装形式, 설치타입, 設置タイプ)

High Bay

## Install ① CD4000 + R-Hinge 1 + Hook + Chain + Hook + FMB (Flange Mount Bracket)

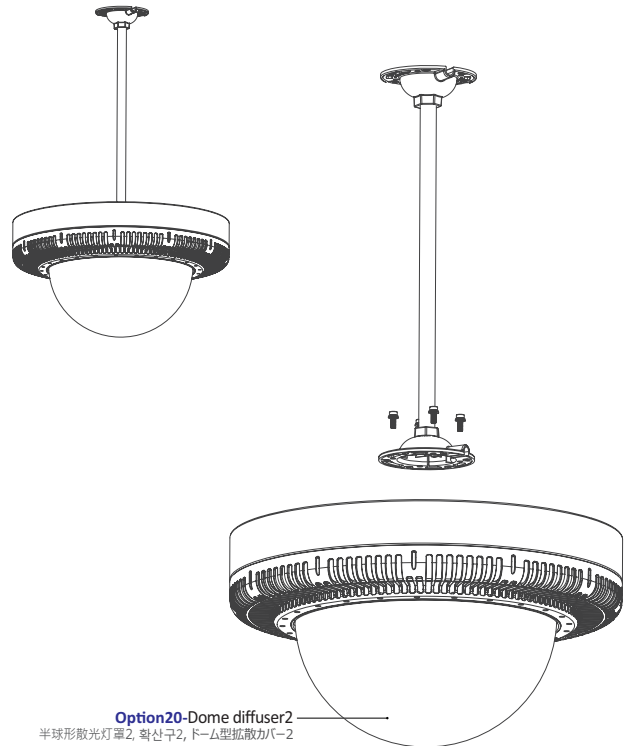
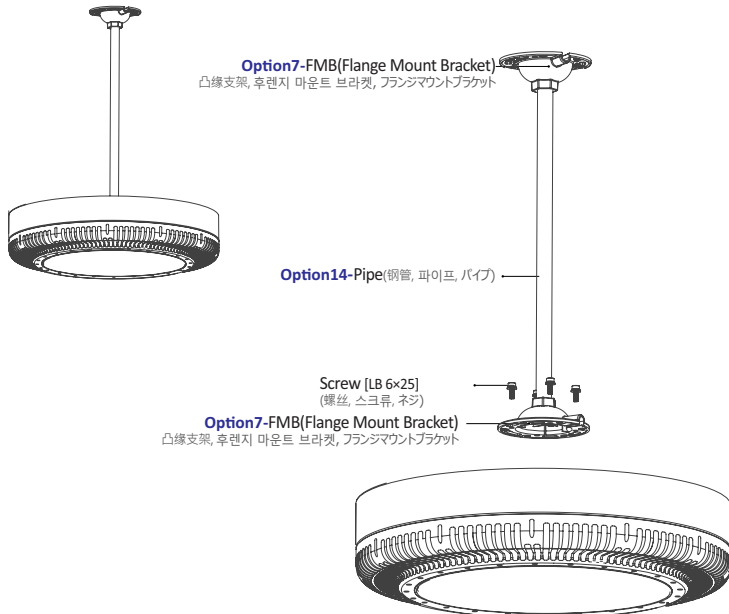
## Install ① -1 Dome Diffuser 2



High Bay

## Install ② CD4000 + FMB + Pipe + FMB (Flange Mount Bracket)

## Install ② -1 Dome Diffuser 2

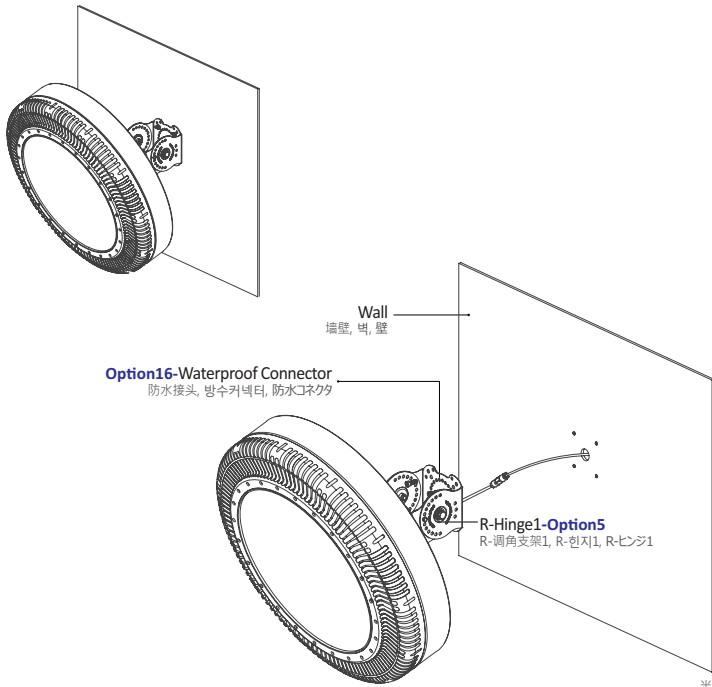


# CD4000 Series Installation Type (安装形式, 설치타입, 設置タイプ)

Flood Light

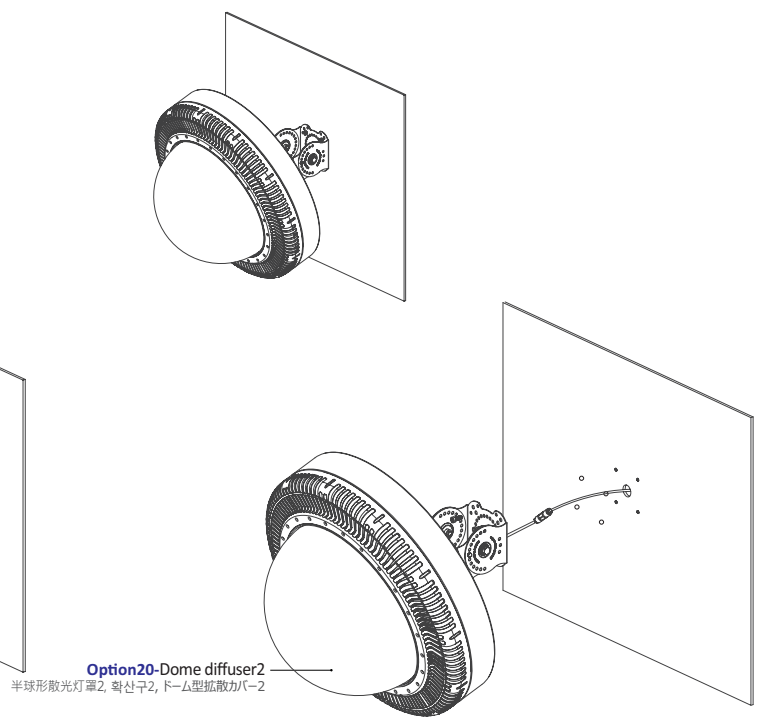
## Install ③ CD4000 + R-Hinge 1, Wall

Option5



## Install ③-1 Dome Diffuser 2

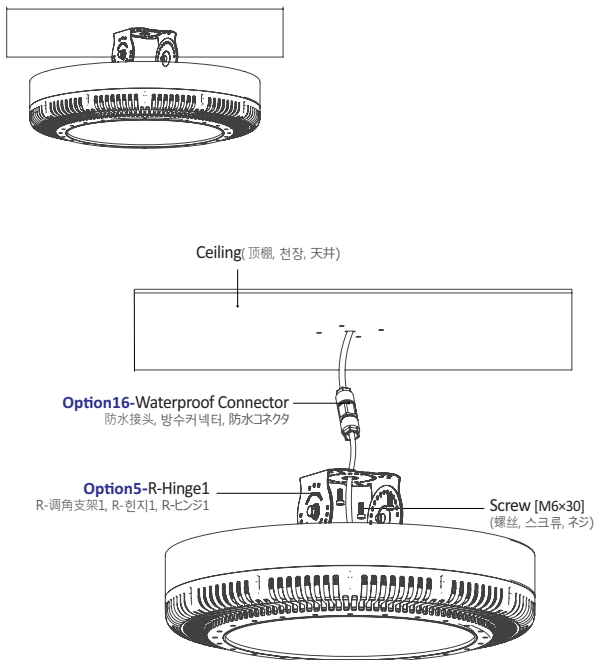
Option20



High Bay

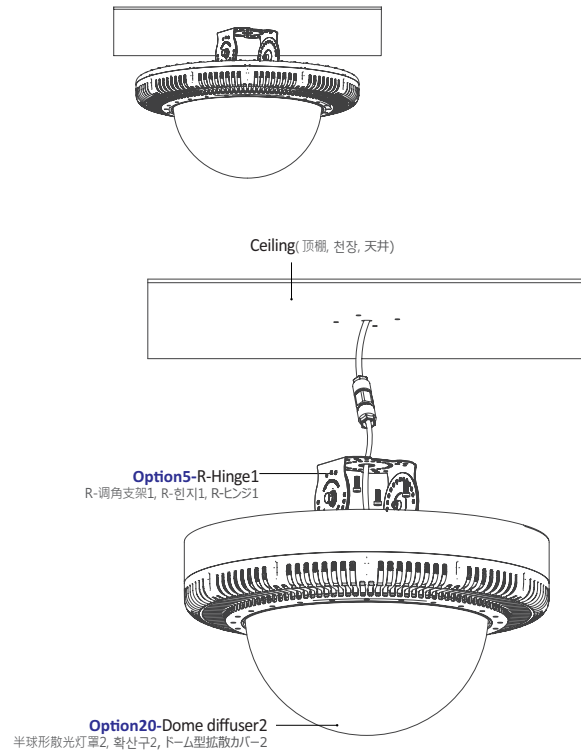
## Install ④ CD4000 + R-Hinge 1, Ceiling

Option5



## Install ④-1 Dome Diffuser 2

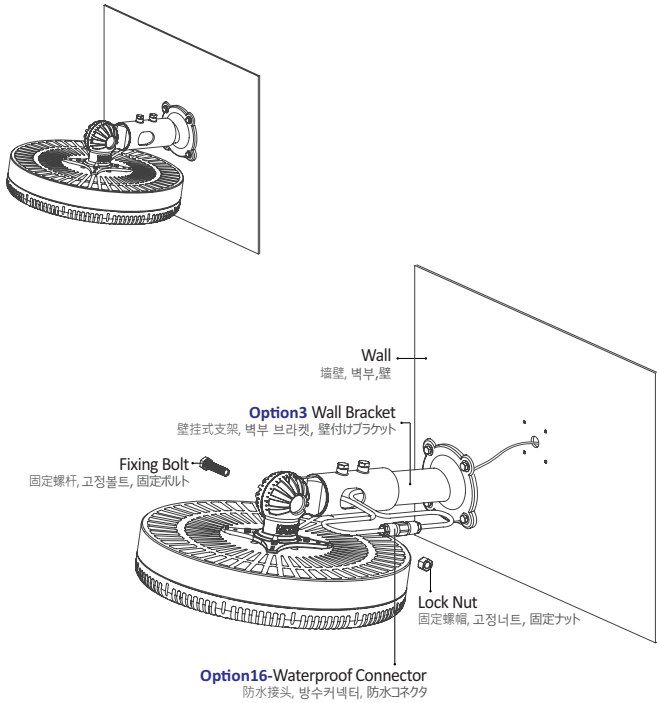
Option20



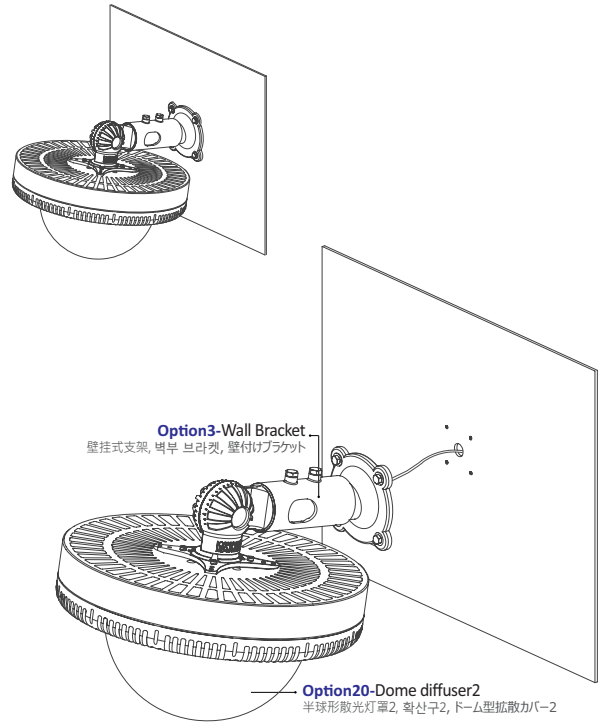
# CD4000 Series Installation Type (安装形式, 설치타입, 設置タイプ)

Flood Light

## Install 5 CD4000 + Wall Bracket

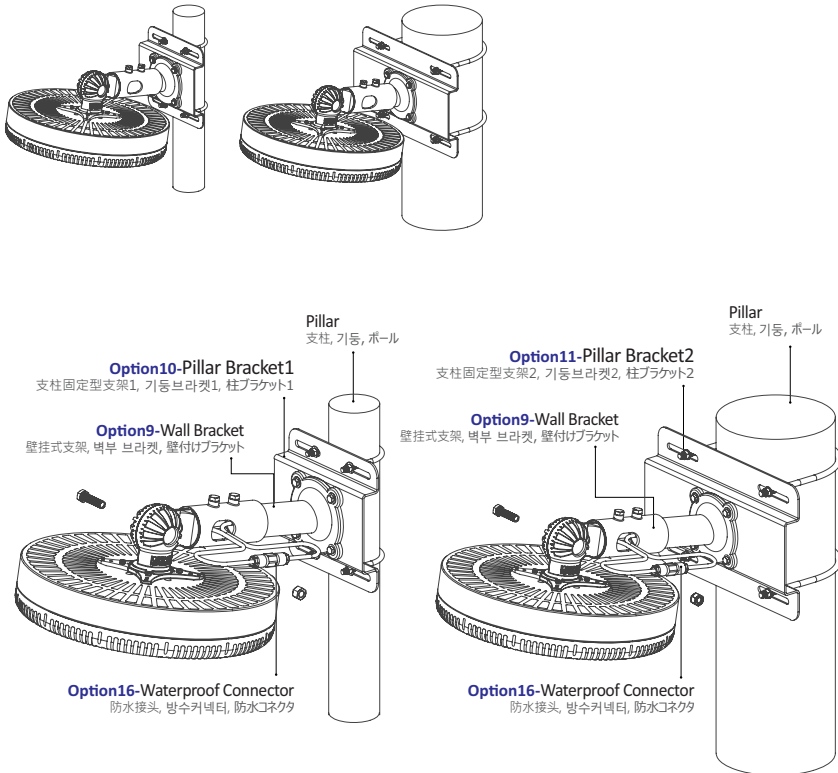


## Install 5-1 Dome Diffuser 2

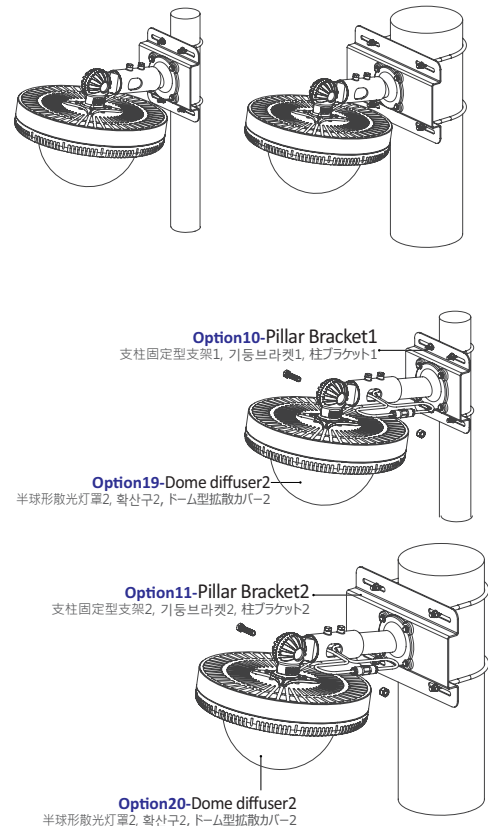


Flood Light

## Install 6 CD4000 + Wall Bracket + Pillar Bracket 1, Pillar Bracket 2


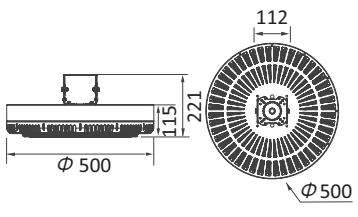
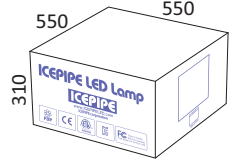
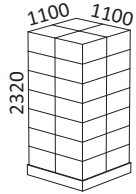

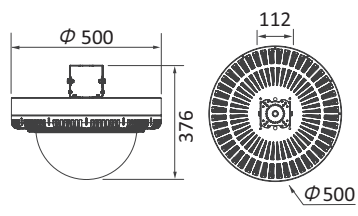

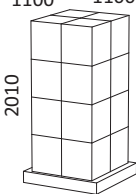

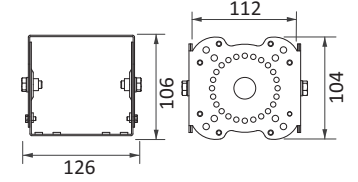
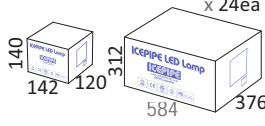
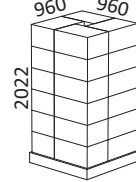

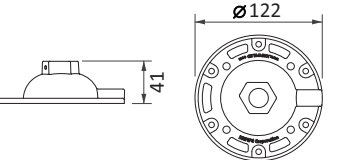

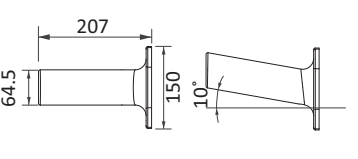
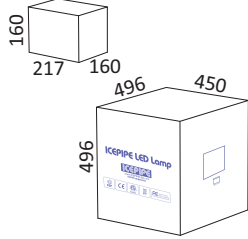
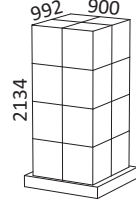

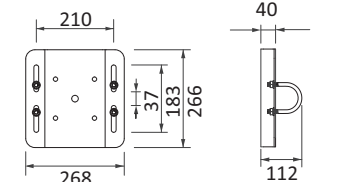
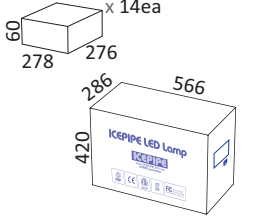
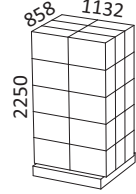

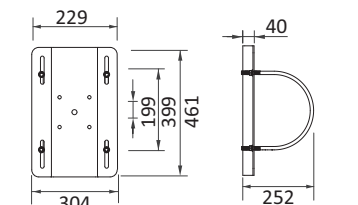
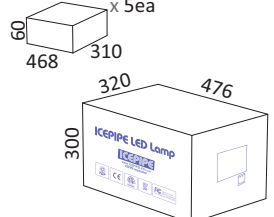
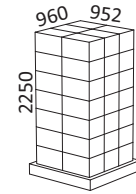


## Install 6-1 Dome Diffuser 2


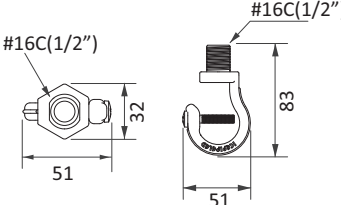

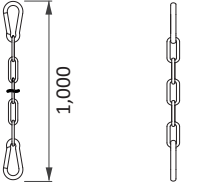

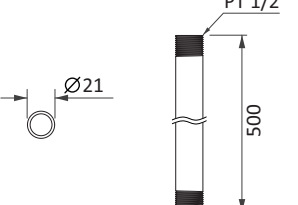

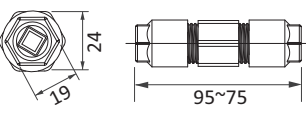

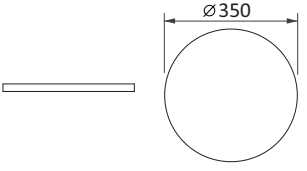

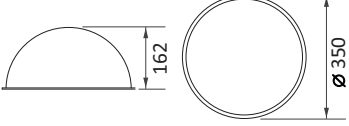




# CD4000 Series Options

Components 部 件, 부 품, 部 品	Description 说 明, 설 명, 說 明	Dimensions 外 观 尺 寸, 외 관 치 수, 外 觀 寸 法 图	Box size 包 装 尺 寸, 박 스 사 이 즈, 梱 包 尺 寸	Pallet size 托 盘 规 格, 팔 레 트 사 이 즈, 팔 레 트 사 이 즈
<b>Main CD4000</b> 	1. Weight : 6.9kg 2. Material : Aluminum, Poly Carbonate /ABS, CU			2R x 2R x 7L = 28ea 
<b>Main + Dome Diffuser2</b> 	1. Weight : 7.6Kg 2. Material : Aluminum, Plastic(PC/ABS), Copper			2R x 2R x 4L = 16ea 
<b>Option 5</b>  R-Hinge1 R-调角支架1, R-인치1, R-히ンジ1	1. Weight : 572g(EGI), 593g(STS) 2. Material : EGI Steel, Stainless Steel			24 x 2R x 2R x 6L = 576ea 
<b>Option 7</b>  Flange Mount Bracket 凸缘支架, 후렌지 마운트 브라켓, 프랑잠마운트브라켓	1. Weight : 148g 2. Material : Aluminum		—	—
<b>Option 9</b>  Wall Bracket 壁挂式支架, 벽부 브라켓, 壁付けブラケット	1. Weight : 1kg 2. Material : Aluminum			18 x 2R x 2R x 4L = 288ea 
<b>Option 10</b>  Pillar Bracket1 支柱固定型支架1, 기둥브라켓1, 柱 Bracket1	1. Weight : 3kg 2. Material : Stainless Steel  ※ Production on request 订单生产 주문후 제작 注文生産			14 x 2R x 3R x 5L = 420ea 
<b>Option 11</b>  Pillar Bracket2 支柱固定型支架2, 기둥브라켓2, 柱 Bracket2	1. Weight : 5.2kg 2. Material : Stainless Steel  ※ Production on request 订单生产 주문후 제작 注文生産			5 x 2R x 3R x 7L = 210ea 

# CD4000 Series Options

Components 部作, 부품, 部品	Description 说明, 설명, 説明	Dimensions 外观尺寸, 외관치수, 外觀寸法図	Box size 包装尺寸, 박스사이즈, 梱包サイズ	Pallet size 托盘规格, 팔레트사이즈, 팔레트사이즈
<b>Option 12</b>  Hook 吊钩, 후크, フック	1. Weight : 43g 2. Material : Aluminum		—	—
<b>Option 13</b>  Chain 链条, 체인, チェーン	1. Weight : 140g 2. Material : Stainless Steel		—	—
<b>Option 14</b>  Pipe 钢管, 파이프, バイブ	1. Weight : 500g 2. Material : Steel		—	—
<b>Option 16</b>  Waterproof Connector 防水接头, 방수커넥터, 防水コネクタ	1. Weight : 31g 2. Material : PVC/PE		—	—
<b>Option 18</b>  Diffuser Plate 2 散光板, 확산판2, 乳白色板	1. Weight : Glass-714g 2. Material : Glass 3. Thickness : 3mm  ※ It must be ordered along with CD4000 请与CD4000灯具一起订购 CD4000 본체와 함께 주문하십시오 CD4000本体と一緒に注文してください		—	—
<b>Option 20</b>  Dome Diffuser 2 半球形散光灯罩2, 확산구2, 돔-型拡散カバー-2	1. Weight : 680g 2. Material : Plastic(PC)  ※ It must be ordered along with CD4000 请与CD4000灯具一起订购 CD4000 본체와 함께 주문하십시오 CD4000本体と一緒に注文してください		—	—